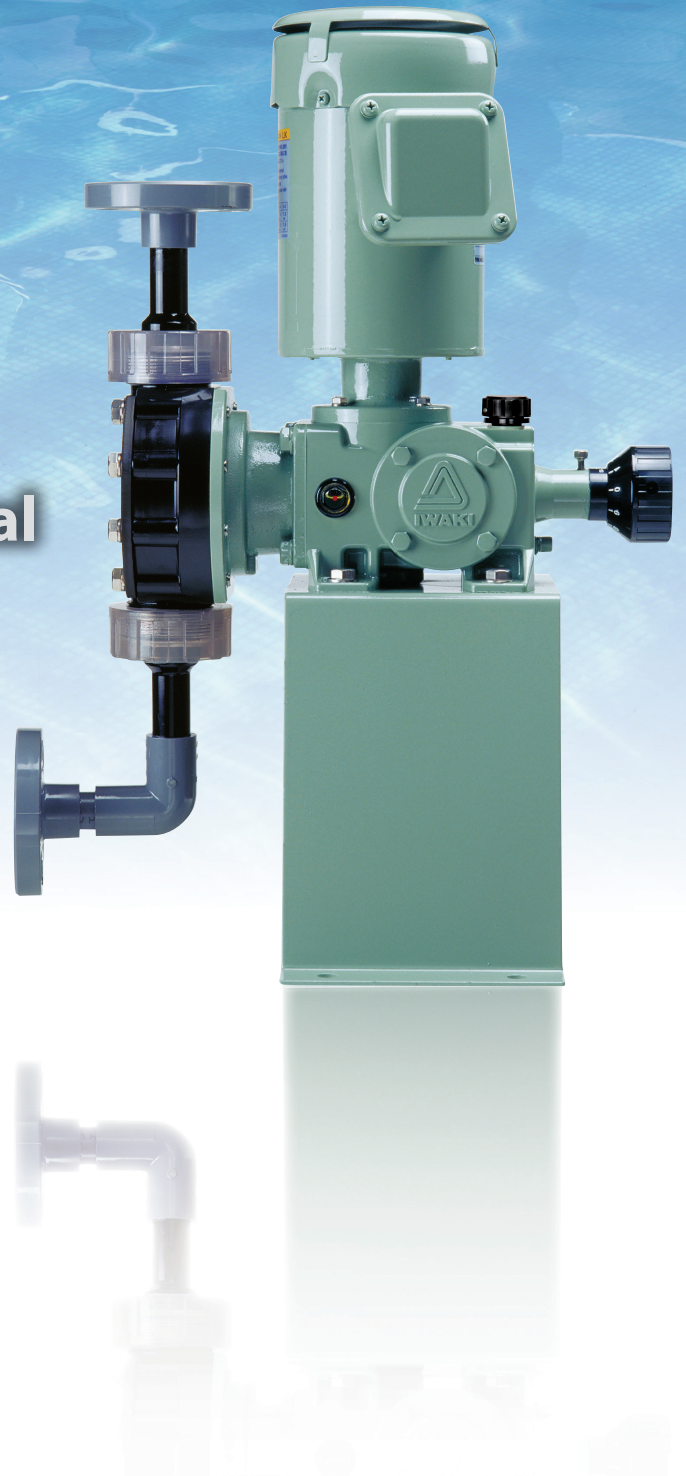


Applicable to the many
diverse needs of chemical
feeding

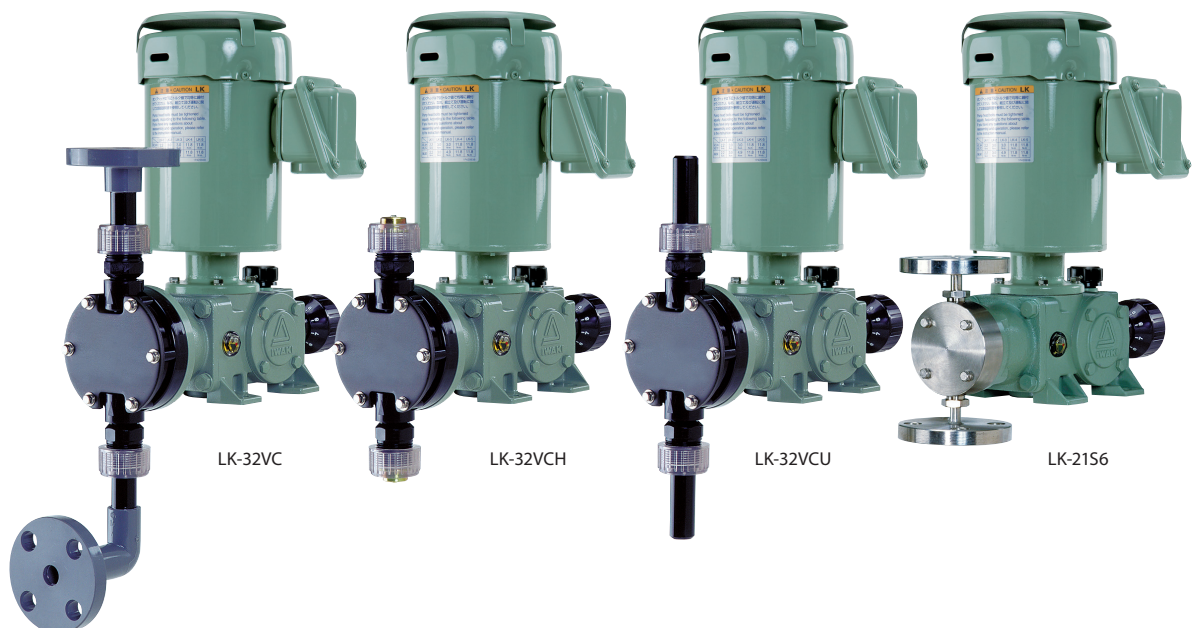


Applicable to the many diverse needs of chemical feeding

Iwaki's systematic LK series metering pump consists of the worm gear type dual-cam driving section, which is compact yet rigid and reliable, and wet-end materials of which there are seven types for various applications.

With long and market-proven experience, Iwaki has employed state-of-the-art pump technologies in the development of an ideal type of chemical feeding pump which has advantages such as quality, performance, ease of operation and cost efficiency.

The LK series is suitable for many chemical liquid feeding processes used in a wide range of fields, including water treatment, chemicals, fabrics, paper mill, food processing, and medicine.





Various types and materials

Nine types (IWAKI original motor) and eight general purpose motor types are available to suit each user's needs in accordance with feeding rate from small to large capacity. Also, material variation has been improved. Selection of the pump material most suitable for the applied liquid is possible with seven different types available.



High performance and application-oriented versatile design

Discharge accuracy (stability) is within $\pm 2\%$ FS. Reliability is considerably enhanced through efforts to improve the linearity of the stroke / discharge ratio as well as the dispersion between stroke. Three types of joints flange, hose and union joints are standardized for the connections. The optimum piping system can be selected. (Only with 0.2kW IWAKI original motor type)



LK-B75S4

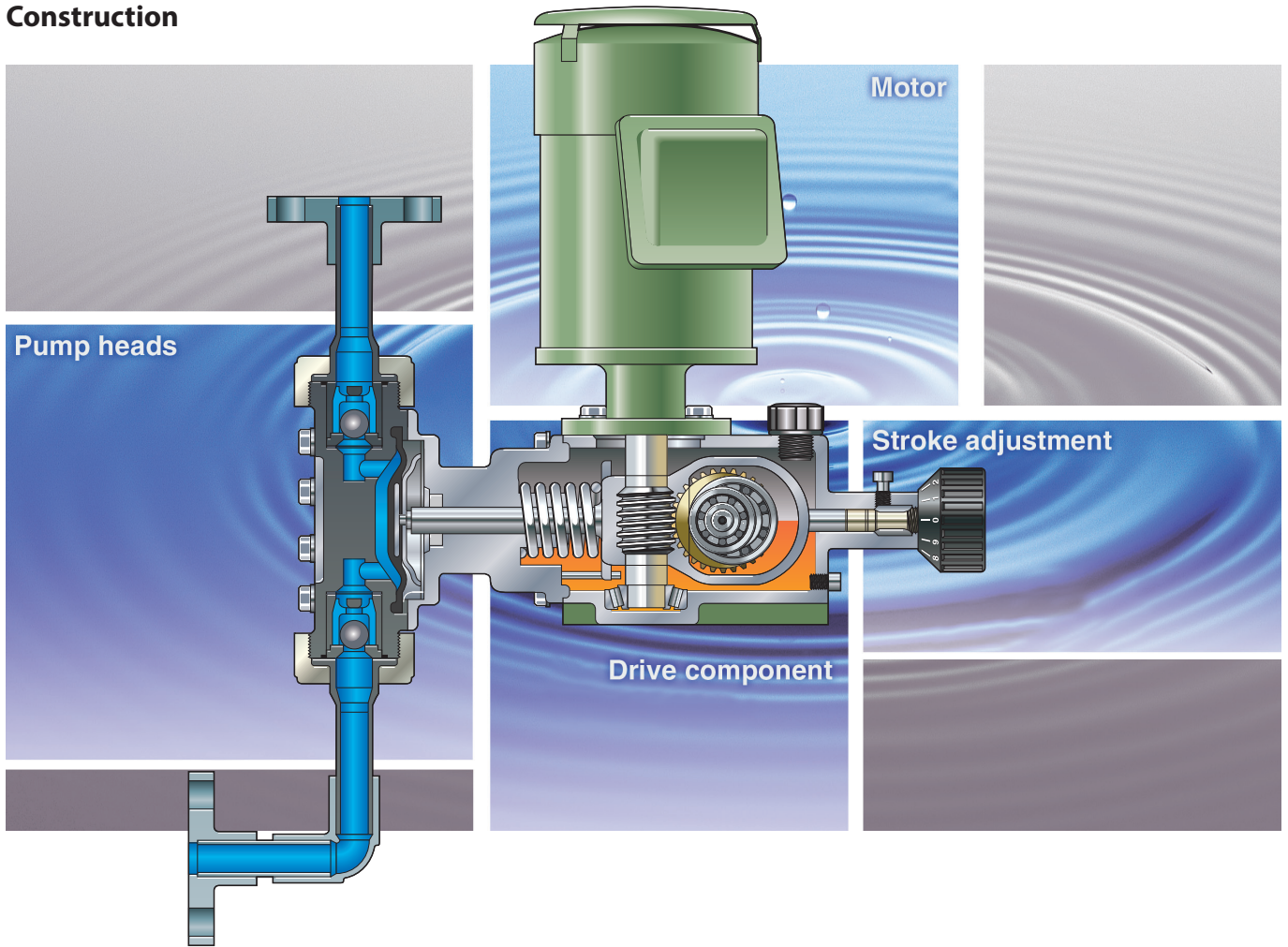


LK-B65VC



LK-C86VC

Construction



Pump heads

Drive from the gear reduction unit is directly transmitted to the diaphragm. This type of metering pump is economical and simple with a high degree of versatility. With the employment of moulded PVC pump-head, and with the new standardisation of three types of connections using flanges, hose, or union joints (0.2kW type), not only a saving in parts cost but also improved flexibility of installation has been realized. The three main pump head materials are PVC, stainless steel, or fluoro-resin. The most suitable type for the application can be selected from a total of seven different materials. A wide range of chemicals, such as acid, alkaline, organic solvent, slurry, and high-temperature liquids, is covered by the series.

• Please contact us for Model PVDF.

Drive component

The head of the LK series is the dual-cam system driving section with a highly reliable, built-in worm gear type speed reducer. The compact and rigid mechanism is a result of the design goal to achieve maximum wear resistance in continuous operation. In addition to the worm gear which is designed with a considerably large module ratio, the material is aluminium bronze, and a taper roller bearing is used at the end of the worm gear for the efficient transmission of motor power to the pump section. A fully enclosed oil bath lubrication system is employed to permit outdoor installation. The durability in continuous operation over a long period of time is also excellent.



Motor

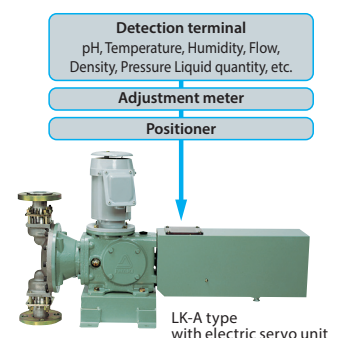
All of the standard models employ totally enclosed outdoor-use motors which are vertically mounted to save space. The 0.2kW type is an IWAKI original motor, which is installed in the small models of the LK series. Besides the standard 200V, other voltages are available. The LK series pumps of LK-F, LK-A, LK-B, and LK-C can be installed with general-purpose motors, including those for different voltage levels and explosion-proof specifications. Body configurations of the LK series are available in five types. They are an IWAKI original motor type frame and the general-purpose motor type frames, F, A, B and C.

Stroke adjustment

Accurate and reliable stroke setting is possible with the micrometer type dial of the springback type stroke adjustment mechanism. An electric servo unit for automatic process control, such as flow, pressure, pH, temperature, and concentration can be arranged according to the user's needs.

Electric servo system Specifications

- Input signal : DC4 - 20mA (or 1 - 5V)
- Power source : AC100V 50/60Hz; other voltage types available
- Voltage fluctuation 10%
- Motor output : LK (0.2kW) 15W
- LK-A, B, C 40W



Specifications

Model	Capacity ^{Note1} L/min		Max. Pressure ^{Note2} MPa		Stroke speed spm		Effective diaphragm dia. ømm	Max. stroke length mm	Connection ^{Note3}			Motor ^{Note4} output kW	Approx net weight ^{Note5} kg				
	50Hz	60Hz	PVC	SUS	50Hz	60Hz			Flange (JIN10K)	Union	Hose ømm		PVC	SUS			
LK-11 21 22 31 32 45 47 55 57	0.020	0.024	1.0	1.5	48	58	22	1.5	15A (PVC) JIS16K (SUS)	VP16 (PVC)	4 x 9 (PVC) 12 x 18 (PVC)	0.2 (Three phase) or 0.25 (Single phase)	12	14			
	0.050	0.060			96	116	30	2.0									
	0.10	0.12			48	58	60	2.5									
	0.25	0.30			96	116	72	6.0									
	0.50	0.60			48	58	100	10									
	0.85	1.00			96	116	25A	VP25 (PVC)							-	16	26
	1.7	2.0			0.8	96	116										
2.8	3.3	0.5	48	58													
7.2	0.3	96	116														
LK-A55 A57 A65	2.8	3.3	1.0	48	58	100	10	25A	-	-	0.4	63	80				
	6.0	7.2	0.7	96	116	138	17.5	40A	-	-	0.75	100	100				
	9.0	10.8	0.3	48	58	150	20	50A	-	-	1.5	105	105				
B65 B75	9.0	10.8	0.5	0.7	48	58	138	17.5	40A	-	-	100	100				
	13.3	16.0	0.5	0.5	48	58	150	20	50A	-	-	105	105				
C76 C86 C87	20	24	0.5	0.3	72	86	150	20	50A	-	-	120	120				
	33	40	0.3	0.3	96	116	205	20	65A	-	-	140	155				
	45	54															

Note 1: The capacity is the value when maximum discharge pressure is applied (with pure water at room temperature). The value may be larger than indicated in the table if the discharge pressure is lower. As for the liquid conditions pumped and performance, refer to the technical information of this catalogue.

Note 2: The maximum discharge pressure of LK-A models are restricted to 0.7MPa for A55, 0.5MPa for A57 and 0.2MPa for A65 when IEC standard 0.37kW motor is adopted.

Note 3: V5 type connection is different in some models from standard.

Note 4: The LK type is equipped with Iwaki original flange motor. The standard is 200V 3-phase, totally enclosed fan-cooled outdoor type.

Other motors for different voltages, explosion-proof motors, or single-phase motors are available.

LK-F, LK-A, B and C are to be installed with general purpose flange motors.

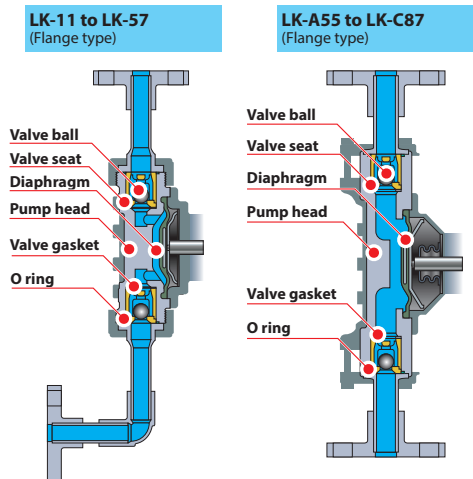
Note 5: The weight is the value when installed with a totally enclosed fan-cooled outdoor motor.

Standard accessory: A siphon preventing valve, strainer and 4m PVC tube are furnished to hose connection type of simplex LK-11 to LK-45 VH or VC A base is furnished to all LK-A, LK-B and LK-C models. For LK-(F) 11 to LK-(F) 57 models, the base may be supplied optionally.

Coating color: F37-60D (JPMA) (However, the motors for LK-F/A/B/C use the maker's standard color.)

Duplex type: LK-11 to 47 type include duplex types with a special-use integrated drive section.

Materials



Type	VC	VH	VS4	VS	S6	S4
Application	acids	Alkalines		Viscosity and Slurry	Solvents	
Applicable type	11 to 87	11 to A57	A65 to C87	11 to C87	11 to A57	A65 to C87
1: Pump head	PVC				SUS316	SCS13
2: Valve ball	CE	HC	SUS304	HC/SUS304	HC	SUS304
3: Valve seat	Type 11 to 32: FKM	EPDM	PVC	SUS304	SUS316	SUS304
	Type 45 to 87: PVC	PVC		SUS304	SUS316	SUS304
4: O ring	FKM	EPDM		-		
5: Valve gasket	PTFE				PTFE	
6: Diaphragm	PTFE + EPDM					
Typical chemical			Material symbols			
VC: Sulfuric acid, Hydrochloric acid, Sodium hypochlorite			SCS13: Stainless-cast steel equivalent to SUS304			
VH, VS4: Caustic soda, Coagulant. Calcium hydroxide (low density)			CE: Ceramic			
VS: Calcium hydroxide, Highmolecular coagulant			FKM: Fluoro rubber			
S6, S4: Organic solvent, Paper making chemicals			EPDM: Ethylene propylene rubber			
			HC: Hastelloy C276			

Materials of the VS type valve balls are HC for 11 to A57 type and SUS304 for B65 to C87 type.

As for the connection, which is different in some models from standard.

A stainless steel pump SE type for latex emulsion is available (LK-31 to 57 type).

Material PVDF is also available. Please contact us for details.

Pump identification



1 Simplex / Duplex

LK (IWAKI original motor type)
None: Simplex

2: Duplex (special drive section:LK-11 to 47)

LK-F/A/B/C (JEM or IEC motor type)
None: Simplex

2 Series name

L series: Mechanical driven diaphragm type

3 Drive section

LK (IWAKI original motor type)
None: IWAKI original motor type 0.2kW / 0.25kW
LK-F/A/B/C (JEM or IEC motor type)

F: 0.25 or 0.37 kW (for IEC), 0.4kW

A: 0.4kW

B: 0.75kW

C: 1.5kW

4 Type No.

First digit: Diaphragm (pump head size)
Second digit: Speed-reducing gear ratio
1-5: 1/30, 2-7: 1/15, 6: 1/20

5 Material symbol

Refer to the material table
(Ex. VC, VH, VS4, VS, S6, S4)

6 Joint

None: Flange
U: union (LK-11 to LK-57)
H: hose (LK-11 to LK-47)

7 Motor output

LK (IWAKI original motor type)
02: 0.2kW, 03: 0.25kW (single phase)
LK-F/A/B/C (JEM or IEC motor type)
04: 0.4kW, 07: 0.75kW, 15: 1.5kW

8 Special motor

LK-F/A/B/C (JEM or IEC motor type)
F: Inverter motor
(Note: General-purpose motors have no explosion-proof symbol.)

9 Servo unit

E: With electric servo unit

10 Special symbol

S: Special specification other than standard.

This table does not introduce the standard combination. Please contact us for details.

In case of pump without motor installation, the above item 7 and 8 are not indicated.

Points to be observed in pump installation and piping

Iwaki metering pump LK series are reciprocating pumps employing the eccentric cam system. Reciprocating pumps generate pulsation in the suction and discharge piping. Special consideration, (different from the ordinary centrifugal pumps), should be given to this point when planning the pump installation and piping.

• Prevention of pipe vibration

Discharge side inertial resistance $P_{id} < 0.1\text{MPa}$
 • P_{id} : Inertial resistance on discharge side

Inertial resistance means the pulsed impact force generated by the flow just upon entering discharge stroke. It is a phenomenon particular to a reciprocating pump which is generated as a result of the sudden application of acceleration to the liquid in the discharge piping. The condition " $P_{id} < 0.1\text{MPa}$ " is given above as an approximate standard. If P_{id} becomes 0.1MPa or higher, vibration on the pipe is generated. So measures should be taken to cope with the influence of vibration on the pump, too.

Measures

1. Install pulsation prevention device (air chamber).
2. Enlarge the diameter and shorten the length of the discharge piping.

• Prevention of overfeeding

Pump differential pressure > Inertial resistance P_i
 • The larger one of the suction side or the discharge side

Overfeeding means excessive flow of the liquid due to abnormal functioning of the check valve caused by pulsation of the liquid in the piping. Check carefully in case the differential pressure is low and in case the piping is too long even with the differential pressure value at 0.03MPa.

Measures

1. Install air chamber.
2. Install back pressure valve

• Prevention of suction failure

$NPSHa > NPSHr$
 $NPSHa = P_a - P_v \pm P_{hs} - P_{is} * \text{MPa}$
 *Or P_{fs} : whichever is the larger.
 (NPSH: Net positive suction head)

If NPSHa is insufficient, caution should be exercised because draining or cavitation occurs, which may result in poor performance or pump damage.

- NPSHa: Absolute NPSH (MPa)
- NPSHr: Required NPSH (value particular to the pump) (MPa)
- P_a : Absolute pressure onto the tank liquid surface (MPa)
- P_v : Liquid vapour pressure (MPa)
- P_{hs} : Pressure caused by the height of the suction side (MPa)
(Flooded suction: +, Negative suction: -)
- P_{is} : Inertial resistance on the suction side (MPa)
- P_{fs} : Piping resistance on the suction side (MPa)

LK series performance

Model	Viscosity ^{Note3} mPa·s		Slurry(Calcium hydroxide) ^{Note3} wt%		NPSHr MPa	Inertial resistance ^{Note1} MPa/1m		Applicable chambers ^{Note2} (0.3MPa)		
	PVC	SUS	PVC	SUS		50Hz	60Hz	PVC	SUS	
LK-11	VC:300 VH:500	500	—		0.07	0.001	0.001	1L	0.5L	
LK-21			—							
LK-22			—							
LK-31			—							
LK-32			5							15
LK-45			—							—
LK-47			—							—
LK-55			1000							15
LK-57	—		—	—						
LK-A55	500	1000	15		0.08	0.003	0.004	5L	5L	
LK-A57			—							
LK-A65			—							
LK-B65	500	1000	15		0.08	0.004	0.005	10L	10L	
LK-B75			—							
LK-C76	500	1000	15		0.08	0.007	0.009	20L	20L	
LK-C86			—							
LK-C87			—							

• Discharge capacity may reduce when sending viscous/slurry liquid. • Dosing flow fluctuation: $\pm 2\%FS$ • Linearity deviation: $\pm 3\%FS$
 • Permissible liquid temperature: PVC: 0 - 50°C, SUS: 0 - 80°C • Maximum suction lift: 1m at full stroke length • Permissible ambient temperature: 0 - 40°C • Paint color: C37-60D(JPMA)
 Note 1: Inertial resistance P_i is calculated per 1m on condition that the pipeline has the same bore as the pump (by pumping clean water at full stroke length). Determine the actual P_i by the following formula.
 Inertial resistance $P_i(P_{is}) = \text{Applicable } P_i \text{ on the table} \times \text{specific gravity} \times \text{actual pipe length (m)} \dots \dots \dots (\text{MPa})$ (P_{id} : Discharge side P_i , P_{is} : Suction side P_i)
 If pipe bore is different from the pump bore: Inertial resistance $P_i(P_{is}) = \text{Applicable } P_i \text{ on the table} \times \text{specific gravity} \times \text{actual pipe length} \times (\text{Pump bore} \div \text{pipe bore})^2 \dots \dots \dots (\text{MPa})$
 Note 2: Applicable chamber: Chamber volume is based on IWAKI's standard chambers
 Note 3: Use this as a guideline for transferring viscous liquids and slurry liquids. If the viscosity exceeds 300 mPa·s, please contact us.

LK-VS type (Viscosity/slurry)

Model	Connection		Viscosity mPa·s	Slurry wt%	Materials	
	flange	hose			valve seat	valve guide
LK-11VS	15A	* $\phi 12 \times \phi 8$	1000	5	*SUS304	*PVC (For VS)
LK-2□VS						
LK-3□VS						
LK-45VS						
LK-45VS						
LK-5□VS	*25A	*Hose cannot be used	1000	15	*SUS304	PVC (Normal)
LK-25A	25A (Normal)	-				

• The information marked with * are for the VS type only.
 • Suction-side piping should be flooded suction system.

Inverter control of LK series

In case of inverter-applied control of the discharge, the control range may be different according to the types or the pressure employed.

List of the specifications for the selection of LK series inverter control system

Model	Capacity ^{Note1} Full stroke length L/min	Max. Pressure ^{Note1} MPa		Control range ^{Note2}	Stroke speed spm	Inverter frequency Hz	Motor ^{Note3}	Description
		PVC, PVDF	SUS					
LK-11	0.008 - 0.032	1.0	1.5	1:4	19 - 78	20 - 80	0.2kW Standard motor (IWAKI original flange motor)	1. The frequency less than the lowest in the table cannot be used as unstable rotation of motor is expected. 2. Drive over the max. frequency cannot be made. 3. Inverter motor cannot be installed.
LK-21	0.02 - 0.08	1.0	1.5	1:4	19 - 78	20 - 80		
LK-22	0.04 - 0.12	1.0	1.5	1:3	38 - 116	20 - 60		
LK-31	0.10 - 0.40	1.0	1.5	1:4	19 - 78	20 - 80		
LK-32	0.20 - 0.60	1.0	1.5	1:3	38 - 116	20 - 60		
LK-45	0.33 - 1.3	0.8	0.8	1:4	19 - 78	20 - 80		
LK-47	0.66 - 2.0	0.8	0.8	1:3	38 - 116	20 - 60		
LK-55	1.37 - 4.4	0.3	0.3	1:3.2	24 - 78	25 - 80		
LK-57	3.6 - 7.2	0.3	0.3	1:2	58 - 116	30 - 60		
LK-F11	0.002 - 0.024	1.0	1.5	1:10	5 - 58	6 - 60 ^{Note4}	0.4kW Inverter motor (VF motor)	1. The frequency less than the lowest should not cause trouble in operation. However, such a level may affect the stability of the pump's performance.
LK-F21	0.006 - 0.06	1.0	1.5	1:10	5 - 58	6 - 60 ^{Note4}		
LK-F22	0.012 - 0.12	1.0	1.5	1:10	11 - 116	6 - 60		
LK-F31	0.03 - 0.3	1.0	1.5	1:10	5 - 58	6 - 60 ^{Note4}		
LK-F32	0.06 - 0.6	1.0	1.5	1:10	11 - 116	6 - 60		
LK-F45	0.1 - 1.0	1.0	1.0	1:10	5 - 58	6 - 60		
LK-F47	0.2 - 1.0	-	1.5	1:5	11 - 68	12 - 60		
LK-F55	0.2 - 2.0	0.8	0.8	1:10	11 - 116	6 - 60		
LK-A55	1.1 - 4.4	0.3	0.3	1:4	20 - 78	20 - 80	0.4kW Inverter motor (VF motor)	1. The frequency less than the lowest cannot be used as unstable motor rotation of motor is expected.
LK-A57	1.4 - 4.4	0.5	0.5	1:3.2	25 - 78	25 - 80		
LK-A65	1.8 - 7.2	0.3	0.3	1:4	29 - 116	15 - 60		
LK-B65	3.7 - 14.5	0.3	0.3	1:4	20 - 78	20 - 80	0.75kW Inverter motor (VF motor)	2. Drive over the max. frequency cannot be used.
LK-B75	4.6 - 14.5	0.5	0.5	1:3.2	24 - 78	25 - 80		
LK-C76	6.7 - 21.5	0.3	0.3	1:3.2	24 - 78	25 - 80	1.5kW Inverter motor (VF motor)	
LK-C86	8 - 24	0.5	0.5	1:3	28 - 86	20 - 60		
LK-C87	13 - 40	0.3	0.3	1:3	28 - 86	20 - 60		

Note 1: The capacity is the value when the maximum discharge pressure is applied in each type (with pure water at room temperature)
 Note 2: With the LK-F type, a larger control range than 1:10 is available. In this case, however, the discharge accuracy and the linearity may be affected due to a stroke speed as low as 15 spm.
 Note 3: The standard inverter is the Toshiba VF motor. In case of another motor used, most of the date in this list can still be used. To be sure, please contact your distributor in advance.
 Note 4: When combining the following materials, the inverter frequency is "10 to 60 Hz". LK-F11VS, LK-F21VS, LK-F31VS
 • Two-value control by inverter and electric servo can not be done.
 • This table is applied to 200V range inverter. Ask us for the inverter of other voltage.
 • It may be necessary to adjust the output torque of the motor with the inverter.

Optional accessories

Siphon preventing valve



Model	BVC-1P□-L□-H	BVC-1P□-□-H
Applicable capacity	Up to 1L/min	
Setting pressure	0.05 - 0.2MPa	0.2 - 0.8MPa
Material	PVC, FKM (EPDM)	
Connection mm (Applicable tube diameter)	Inlet	4 x 9, 12 x 18
	Outlet	R3/8 and PT1/2

□: Symbol for material of O-ring ("V" for FKM, "E" for EPDM)

Air chamber



Body	Model	Applicable capacity L	Setting pressure MPa	Connection Nominal size DIN PN 10 flange	Weight kg	
PVC	A-1V□	1.0	0.5	Common for 15A - 25A	2	
	A-2V□	2.0			2.5	
	A-5V□	5.0			4.5	
	N40A-10V(2)-F*	10			40A	16
	N50A-20V(2)-F*	20			50A	26
	N65A-30V(2)-F*	30			65A	49
SUS316	A-0556(-)	0.5	0.9	10, 15, 20A	3	
	A-156(-)	1.5			15, 20, 25A	5
	A-556(-)	5.0			25, 40A	12
	A-1056(-)	10			40, 50A	15
	A-2056(-)	20			50, 65A	29
	A-3656(-)	36			65A	55

*: Material for O-ring 10V / 20V / 30V for CR, 10V2 / 20V2 / 30V2 for FKM

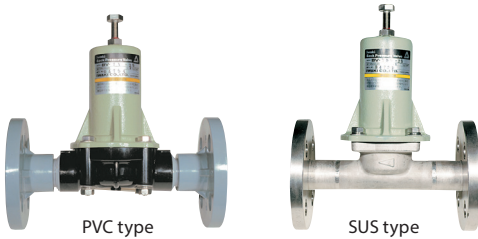
□: Symbol for material of O-ring ("V" for FKM, "E" for EPDM)

() : Symbol for connection (10, 15, 20, 25, 40, 50 or 65)

() : The weight is the value of the product only. (The weight of liquid applied is not included.)

• Rigid PVC chamber may deteriorate with ultraviolet ray or the applied chemical liquid over a long period of time. The chamber should be replaced every three years to guarantee safety.

Relief valve and back pressure valve



List of relief valve

Body	Model	Max. capacity L/min	Setting pressure MPa	Connection Nominal size DIN PN 10 flange, unless otherwise specified	Weight kg
PVC	RV-1P□-4H	1.0	0.3 - 0.8	ø4 x ø9 PVC Hose	0.2
	RV-1P□-12H	1.0	0.3 - 0.8	ø12 x ø18 PVC Hose	0.2
	RV-1P□-15	1.0	0.3 - 0.8	15A	0.5
	RV-1P□-20	1.0	0.3 - 0.8	20A	0.5
	RV-1P□B-15	1.0	0.8 - 1.0	15A	0.5
	RV-3P-15	3.0	0.3 - 1.0	15A	0.6
	RV-3P-20	3.0	0.3 - 1.0	20A	0.6
	RV-3P-25	3.0	0.3 - 1.0	25A	0.9
	RV-3P□-12H	3.0	0.3 - 1.0	ø12 x ø18 PVC Hose	0.4
	RV-7V-20	7.5	0.3 - 0.8	20A	3.5
	RV-7V-25	7.5	0.3 - 0.8	25A	3.5
	RV-7V-20	7.5	0.8 - 1.0	20A	3.5
	RV-7VB-25	7.5	0.8 - 1.0	25A	3.5
	RV-25V-25	25	0.3 - 0.8	25A	4.0
	RV-25V-40	25	0.3 - 0.8	40A	4.0
	RV-25V-50	25	0.3 - 0.8	50A	4.5
	N50RV-5V-F	45	0.15 - 0.5	50A	18
	N50RV-5V2-F	45	0.15 - 0.5	50A	18
	N65-50RV-5V-F	65	0.15 - 0.5	65A	18
	N65-50RV-5V2-F	65	0.15 - 0.5	65A	18
SUS	RV-256-15	2.0	0.3 - 0.8	JIS10 - 16K 15A	3.5
	RV-256B-15	2.0	0.8 - 1.5	JIS10 - 16K 15A	3.5
	RV-756-25	7.5	0.3 - 0.8	JIS10 - 16K 15A	6
	RV-756B-25	7.5	0.8 - 1.5	JIS10 - 16K 15A	6
	RV-2556-25	25	0.3 - 0.8	25A	7.0
	RV-2556B-25	25	0.8 - 1.0	25A	7.0
	RV-2556-40	25	0.3 - 0.8	40A	7.5
	RV-2556-50	25	0.3 - 0.8	50A	8.7
	RV-2556B-40	25	0.8 - 1.0	40A	7.5
	N50RV-556-F	80	0.15 - 0.5	50A	29
N65RV-556-F	120	0.15 - 0.5	65A	42	

□: Symbol for material of O-ring ("V" for FKM, "E" for EPDM)

O-ring material or N type is FKM for "SV2".

Note: Material for diaphragm is PTFE except RV-1P and N type.

O-Ring material for "RV-1P" and "N" type is same as diaphragm material.

List of back pressure valve

Body	Model	Flow range L/min	Setting pressure MPa	Connection Nominal size DIN PN 10 flange, unless otherwise specified	Weight kg
PVC	BV-1P□-4H	0.005 - 1.0	0.2 - 0.8	ø4 x ø9 PVC Hose	0.2
	BV-1P□-12H	0.005 - 1.0	0.2 - 0.8	ø12 x ø18 PVC Hose	0.2
	BV-1P□-15	0.005 - 1.0	0.2 - 0.8	15A	0.5
	BV-1P□-20	0.005 - 1.0	0.2 - 0.8	20A	0.5
	BV-1P□L-4H	0.005 - 1.0	0.05 - 0.2	ø4 x ø9 PVC Hose	0.2
	BV-1P□L-12H	0.005 - 1.0	0.05 - 0.2	ø12 x ø18 PVC Hose	0.2
	BV-1P□L-15	0.005 - 1.0	0.05 - 0.2	15A	0.5
	BV-1P□L-20	0.005 - 1.0	0.05 - 0.2	20A	0.5
	BV-3P□-12H	0.03 - 3.0	0.1 - 0.8	ø12 x ø18 PVC Hose	0.4
	BV-3N□-12H	0.005 - 3.0	0.1 - 0.3	ø12 x ø18 PVC Hose	0.4
	BV-3N□-15	0.005 - 3.0	0.1 - 0.3	15A	0.6
	BV-3N□-20	0.005 - 3.0	0.1 - 0.3	20A	0.6
	BV-3N□-25	0.005 - 3.0	0.1 - 0.3	25A	0.9
	BV-7V-20	0.2 - 7.5	0.05 - 0.8	20A	3.5
	BV-7V-25	0.2 - 7.5	0.05 - 0.8	25A	3.5
	BV-25V-25	2 - 25	0.1 - 0.8	25A	4
	BV-25V-40	2 - 25	0.1 - 0.8	40A	4
	BV-25V-50	2 - 25	0.1 - 0.8	50A	4.5
	N50BV-5V-F	2.5 - 50	0.15 - 0.5	50A	18
	N50BV-5V2-F	2.5 - 50	0.15 - 0.5	50A	18
N65-50BV-5V-F	5 - 70	0.15 - 0.5	65A	20	
N65-50BV-5V2-F	5 - 70	0.15 - 0.5	65	20	
SUS	BV-256-15	0.02 - 2.0	0.05 - 0.8	JIS10 - 16K 15A	3.5
	BV-756-25	0.2 - 7.5	0.05 - 0.8	JIS10 - 16K 25A	6.0
	BV-2556-25	2 - 25	0.1 - 0.8	25A	7.0
	BV-2556-40	2 - 25	0.1 - 0.8	40A	7.5
	BV-2556-50	2 - 25	0.1 - 0.8	50A	8.5
	N50BV-556-F	2.5 - 80	0.15 - 0.5	50A	29
	N65BV-556-F	5 - 120	0.15 - 0.5	65A	42

□: Symbol for material of O-ring ("V" for FKM, "E" for EPDM)

O-ring material or N type is "SV" for CR, or "SV2" for FKM.

• Material for diaphragm is PTFE except BV-1P and N type.

• Material of diaphragm is same as O-ring material at BV-1P and N type.

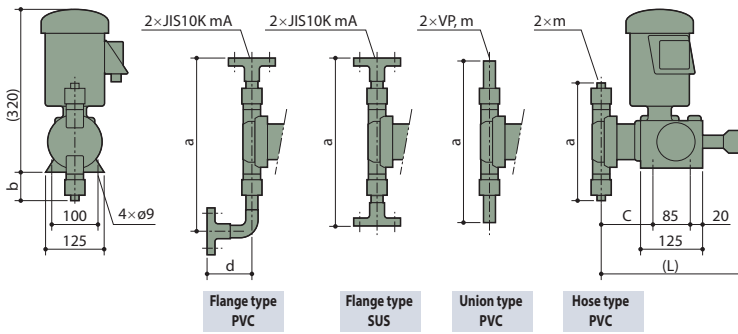
• The back pressure valve can not curb the residual flow completely when the pump stops.

Use the solenoid valve in order to shut out the residual flow.

Dimensions in mm

Dimensions may be changed without prior notice for the purpose of product improvement. Be sure to carry out installation work with the most recent and detailed drawings.

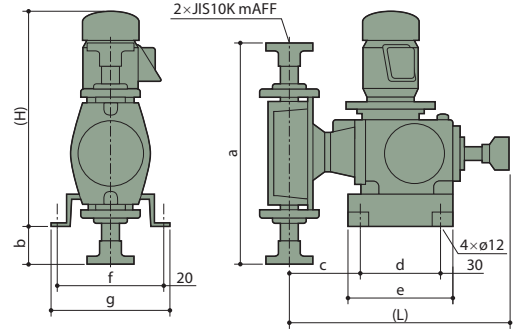
LK-11 to LK-57 (Original motor type)



Model	Hose type					Union type					Flange type										
	PVC					PVC					PVC					SUS					
	L	a	b	c	m	L	a	b	c	m	L	a	b	c	d	m	L	a	b	c	m
LK-1	274	146	23	95	Note 1	274	244	72	95	16	275	264	86	95	89	15	272	141	20	92	15
2	274	164	32	95		274	262	81	95	16	275	282	95	95	89	15	272	151	25	92	15
3	277	224	62	97		277	318	109	97	16	277	342	125	97	89	15	277	184	42	92	15
4	281	249	75	99		281	342	120	99	16	281	361	135	99	89	15	283	261	80	101	15
5	-	-	-	-		298	314	107	114	25	298	338	125	114	97	25	295	320	111	111	25
47VS	-	-	-	-	281	272	86	99	25	281	313	106	99	97	25	-	-	-	-	-	-

Note1 : Connection size LK-1 and LK-2 $\phi 4\text{mm} \times \phi 9\text{mm}$, LK-3, LK-4 and LK-1 to LK-45 VS type $\phi 12\text{mm} \times \phi 18\text{mm}$. For information of TC type, please contact IWAKI or nearest distributor.

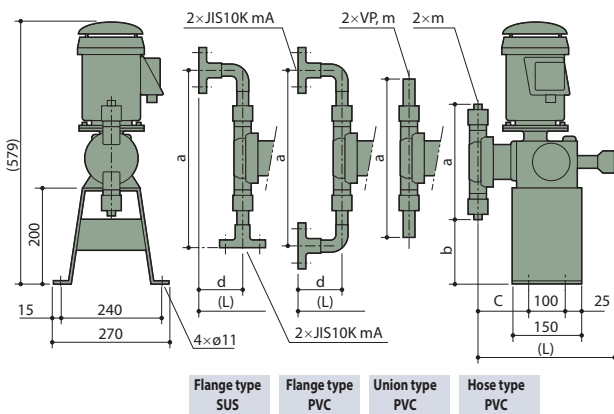
LK-A55 to LK-C87 (General purpose motor type)



Model	PVC				SUS				Note2							
	L	a	b	c	L	a	b	c	H	d	e	f	g	m		
LK-A5	476	325	-29	119	473	320	-32	108	547	180	240	260	300	25		
A6	523	599	108	154	533	431	24	164	547	180	240	260	300	40		
B6	595	599	90	164	605	431	6	174	594	240	300	310	350	40		
B7	599	600	90	167	610	465	23	178	594	240	300	310	350	50		
C7	599	600	90	167	610	465	23	178	601	240	300	310	350	50		
C8	605	647	114	173	609	633	107	177	601	240	300	310	350	65		

Note2: These dimensions are common between PVC pump head and SUS pump head. For information of TC type, please contact IWAKI or nearest distributor.

LK-F1 to F5 (General purpose motor type)



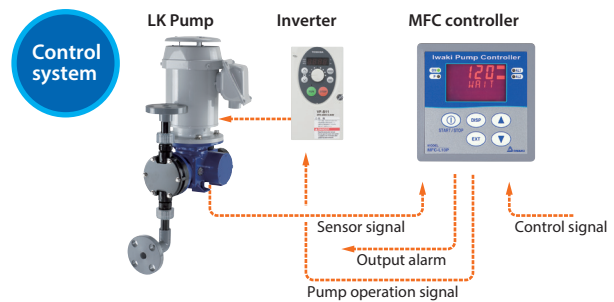
Model	Hose type					Union type					Flange type											
	PVC					PVC					PVC					SUS						
	L	a	b	c	m	L	a	b	c	m	L	a	b	c	d	m	L	a	b	c	d	m
LK-F1	274	146	177	87	Note 1	274	244	128	87	16	363	272	114	87	89	15	332	156	180	85	60	15
2	274	164	168	87		274	262	119	87	16	363	290	105	87	89	15	332	166	175	85	60	15
3	277	224	138	89		277	318	91	89	16	366	350	75	89	89	15	337	201	158	90	60	15
4	281	249	128	92		281	342	79	92	16	370	369	65	92	89	15	343	270	120	94	60	15
5	-	-	-	-		298	314	93	107	25	395	350	75	107	97	25	399	368	90	104	104	25
47VS	-	-	-	-	281	272	114	92	25	378	313	94	92	97	25	-	-	-	-	-	-	

Note1 : Connection size LK-1 and LK-2 $\phi 4\text{mm} \times \phi 9\text{mm}$, LK-3, LK-4 and LK-1 to LK-45 VS type $\phi 12\text{mm} \times \phi 18\text{mm}$. For information of TC type, please contact IWAKI or nearest distributor.

Pump controller MFC

Multifunction pump controller for LK-F series metering pumps

- Capable of analogue input (4~20mA) and pulse input (Dividing/Multiply) operation
- Operating functions of the pump can be monitored via external output signal.
- Easy key touch operation and a large LCD display give good control legibility.
- Display preference of flow rate (L/min) or stroke rate (SPM) is user-selectable.
- Combination of stroke length adjustment with stroke rate enables flow volume control over a wide range of 1:480.



IWAKI CO., LTD. 6-6 Kanda-Sudacho 2-chome Chiyoda-ku Tokyo 101-8558 Japan TEL : (81)3 3254 2935 FAX : 3 3252 8892

IWAKI has global net work. Please find your distributor location at

www.iwakipumps.jp

European office : IWAKI Europe GmbH
 Germany : IWAKI Europe GmbH
 Holland : IWAKI Europe GmbH (Netherlands Branch)
 Italy : IWAKI Europe GmbH (Italy Branch)
 Spain : IWAKI Europe GmbH (Spain Branch)
 Belgium : IWAKI Belgium N.V.
 Denmark : IWAKI Nordic A/S
 Finland : IWAKI Suomi O.Y.
 France : IWAKI France S.A.
 Norway : IWAKI Norge AS
 Sweden : IWAKI Sverige AB

TEL: (49)2154 9254 0 FAX: 2154 9254 48
 TEL: (49)2154 9254 50 FAX: 2154 9254 55
 TEL: (31)74 2420011 FAX: (49)2154 925448
 TEL: (39)0444 371115 FAX: 0444 335350
 TEL: (34)93 37 70 198 FAX: 93 47 40 991
 TEL: (32)13 67 02 00 FAX: 13 67 20 30
 TEL: (45)48 24 2345
 TEL: (358)9 2745810
 TEL: (33)1 69 63 33 70 FAX: 1 64 49 92 73
 TEL: (47)23 38 49 00
 TEL: (46)8 511 72900

()Country codes

U.S.A. : IWAKI America Inc. TEL: (1)508 429 1440 FAX: 508 429 1386
 Argentina : IWAKI America Inc. (Argentina Branch) TEL: (54)11 4745 4116
 Brasil : IWAKI Do Brasil Comercio De Bombas Hidraulicas Ltda. TEL: (55)19 3244 5900 FAX: 19 3244 5900
 Singapore : IWAKI Singapore Pte Ltd. TEL: (65)6316 2028 FAX: 6316 3221
 Indonesia : IWAKI Singapore (Indonesia Office) TEL: (62)21 6906606 FAX: 21 6906612
 Malaysia : IWAKI Sdn. Bhd. TEL: (60)3 7803 8807 FAX: 3 7803 4800
 Australia : IWAKI Pumps Australia Pty Ltd. TEL: (61)2 9899 2411 FAX: 2 9899 2421
 Hong Kong : IWAKI Pumps Co., Ltd. TEL: (852)2607 1168 FAX: 2607 1000
 China : GFITZ IWAKI Engineering & Trading Co., Ltd. TEL: (86)20 84350603 FAX: 20 84359181
 : IWAKI Pumps (Shanghai) Co., Ltd. TEL: (86)21 6272 7502 FAX: 21 6272 6929
 Korea : IWAKI Korea Co., Ltd. TEL: (82)2 2630 4800 FAX: 2 2630 4801
 Taiwan : IWAKI Pumps Taiwan Co., Ltd. TEL: (886)2 8227 6900 FAX: 2 8227 6818
 Thailand : IWAKI (Thailand) Co., Ltd. TEL: (66)2 322 2471 FAX: 2 322 2477

Actual pumps may differ from the photos. Specifications and dimensions are subject to change without prior notice. For further details please contact us.

Caution for safety use: Before use of pump, read instruction manual carefully to use the product correctly.

Legal attention related to export.

Our products and/or parts of products fall in the category of goods contained in control list of international regime for export control. Please be reminded that export license could be required when products are exported due to export control regulations of countries.

The posting and copying from this catalogue without permission is not accepted firmly.